

DIGITAL PANEL METERS

Electrical measurements 2000 points VNE 2



VNE2 panel meters are well designed for industrial areas: hard housing, connection through a removable screwing connector, high immunity to external noises, several types of power supply. Ac current measurement can be performed using an external transformer insuring a good insulation to the instrument in regards to line potentials.

- Dimensions : 72 x 24 mm
- Internal power supply transformer
- LED Display, 14 mm LED

Functions

Function	Gauge	Resolution	Accuracy (1)	Input impedance	Remarks
DC Voltage	200 mV	100 μ V	0,1 % + 100 μ V	> 100 M Ω	Optional decimal point command
	2 V	1 mV	0,1 % + 1 mV	1,1 M Ω	
	20 V	10 mV	0,1 % + 10 mV	1 M Ω	
	200 V	100 mV	0,1 % + 0,1 V	1 M Ω	
	650 V	1 V	0,1 % + 1 V	10 M Ω	
DC current	On request	100 mV / 1000 pts	0,2 % + 1 mA	Shunt 100 mV	External Shunt 10 - 100 - 1 000 A or internal 2 - 20 - 200 mA
	2 A	1 mA		0,1 Ω	
AC voltage	650 V	1 V	2 V	900 k Ω	Band-width 40 Hz to 400 Hz
AC current	2 A	1 mA	1 % + 2 mA	} Delivered with transformer (2 - 20 ou 200 A) For secondary of CT 1 or 5A non-included	2 models, input and scale defined with order, can be modified by user (D51 model is set in factory: 4-20 mA/0-100 %). an analog output is available as option.
	20 A	10 mA	1 % + 20 mA		
	200 A	100 mA	1 % + 0,2 A		
	On request	100 mV / 1000 pts	0,3 % + 2		
Process signals with scaling	0 - 5 V	Display \pm 2000 points	0,1 % of scale end + 1	1 M Ω	
	0 - 10 V			1 M Ω	
	4 - 20 mA	For scale begin and end		50 Ω	
	0 - 20 mA			50 Ω	

(1) In \pm (% of reading + number of units) at 23 \pm 1°C for 1 year.

MEASURE AND CALIBRATION

Main characteristics

Display.....

2000 measurement points (3 ½ digits),
Red LED (green or yellow in option), height: 14 mm.
Overload indication by extinction of the 3 last digits.

Automatic polarity and zero.....

Measurement rate.....

2.5 measurements per second

Temperature coefficient.....

≤ accuracy / 10°C

Common mode rejection.....

≥ 110 dB at 50 Hz

Serial mode rejection.....

≥ 60 dB at 50 Hz

Current transformer.....

Suitable transformer is supplied with I 33, I 34 and I 35 models.
Primary 2 A, 20 A or 200 A.
Secondary 1 A.
200 mV on 0.2 Ω shunt.
Accuracy class 0.5 for 1 VA power.
Frequency 50 / 60 Hz.
Primary connection by plugs for 2 A and 20 A ranges and metal cable gland (∅<12mm) for 200 A range.

Operating conditions.....

Nominal field of use : 0 to + 50 °C
Limit field of use : -10 to + 50°C

Power supply.....

230 V~ (± 10 %) 50 to 60 Hz

Other power supplies :
6 V- ± 20 % non-insulated,
5 V- ± 10 % insulated,
9 to 18 V- insulated,
18 to 36 V- insulated,
36 to 72 V- insulated,
24 V~ ± 10 % insulated,
48 V~ ± 10 % insulated,
115 V~ ± 10 % insulated.

Consumption.....

4 VA max

Presentation.....

ABS Case.
Sealing IP 40
Weight : around 300 g.

Connections.....

Removable screwing connector

Options

Backlight display setting

External decimal dot commutation

command (for V- models).

Non insulated analog output

For process models D50 and D51.
1 mV/digit. Acceptable load ≥ 2 kΩ.

Waterproof metal box

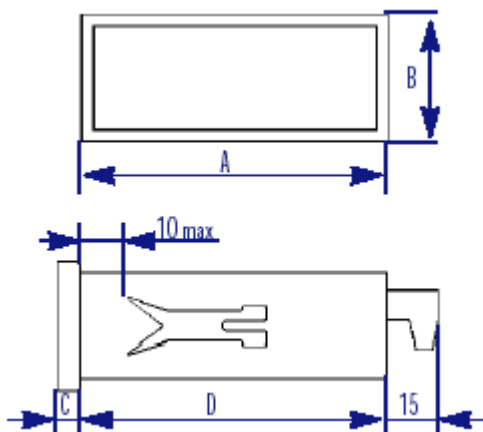
IP 65 Front panel
Dimensions : 99 x 36 x 120 mm

Accessories

Mechanic adaptor.....

Allows adaptation of VNE into slightly larger cutout
Adaptation of 75x25mm panel meters
External dimensions 80x32mm


Dimensions



Case	A	B	C	D	Panel cut
72 x 24	72	24	5	103	$68^{+0.8}_0 \times 22.2^{+0.3}_0$

MEASURE AND CALIBRATION

Instructions to order

Indicator	VNE 2	
		▲ ▲ ▲ ▲ ▲
	Reference to defer above	
Direct voltage		
200 mV.....	V12.....	
2 V.....	V13.....	
20 V.....	V14.....	
200 V.....	V15.....	
650 V.....	V16.....	
With precision adjustment.....	V17.....	
Alternative voltage		
650 V~.....	V76.....	
Direct current		
100 mV on external shunt.....	I10.....	
100 mV on internal shunt.....	I20.....	
2 A.....	I26.....	
Process signals with scaling (4-20 mA, 0-10 V, 0-5 V)		
On request.....	D50.....	
0-100%.....	D51.....	
Display		
Red.....	R.....	
Green.....	V.....	
Yellow.....	J.....	
Power supply		
6 V-.....	1.....	
5 V-.....	2.....	
9 to 18 V-.....	3.....	
18 to 36 V-.....	4.....	
36 to 72 V-.....	5.....	
24 V~.....	6.....	
115V~.....	7.....	
230 V~.....	8.....	
48V~.....	9.....	
Case		
Plastic.....	0.....	
Impervious & Metallic.....	1.....	
Luminosity adjustment		
Without.....	0.....	
With.....	1.....	



AOIP
 BP 182
 91006 EVRY CEDEX France
 +33 1 69 36 50 60
 www.aqip.com



Accréditation
 n° 2.1525
 Température
 n° 2.1524
 Electricité-magnétisme