



**BONN HUNGARY
ELECTRONICS**

**GSM 900 / DCS&UMTS BAND
DIPLEXER**

BFDP13
NDS # 854

PRELIMINARY

an ISO 9001 Certified Company



- **IDEAL FOR THE 900 MHz / DCS & UMTS SYSTEMS**
- **HELPS TO SAVE CABLE COST**
- **ECONOMICAL PRICE**
- **SELECTABLE DC FEED**
- **COMPACT SIZE**

This duplex filter is a universal system building block. It is intended for use to separate or combine 900 MHz and DCS&UMTS systems. Because of its low losses and compact size it can be used effectively in GSM communication systems for reducing the dual band assembling (cable) costs.

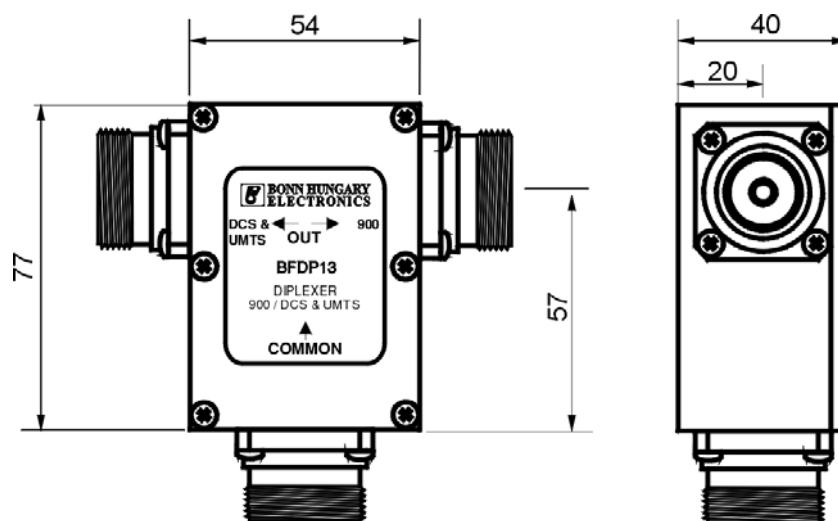
ELECTRICAL CHARACTERISTICS :

Frequency Band (*)	880 to 960 MHz	1710 to 2170 MHz
Insertion Loss (common to 900 MHz GSM port)	0.2 dB, max. 0.3 dB	< -50 dB
Insertion Loss (common to DCS&UMTS port)	< -50 dB	0.4 dB, max. 0.5 dB
Reflection	< -20 dB	< -20 dB
Max. Input Power	> 50 W	
Amplitude Balance	± 0.1 dB	
Connectors	7 / 16 - female	
Operating Temperature Range	- 30 to + 70 °C	
Application	Indoor or Outdoor (in waterproof housing)	

Specifications are subject to change without notice.

(*) Other frequency ranges are available upon request.

OUTLINE DIMENSIONS (mm):



BONN Elektronik 
RF Systems, Instruments and Components

Rudolf-Diesel-Str.18 · D-85521 Ottobrunn · Tel +49 (0)89/608 754-0 · Fax +49 (0)89/608 754-99
email: info@bonn-elektronik.com · home: www.bonn-elektronik.com